

BED SCALES



Release date: 25.11.2009

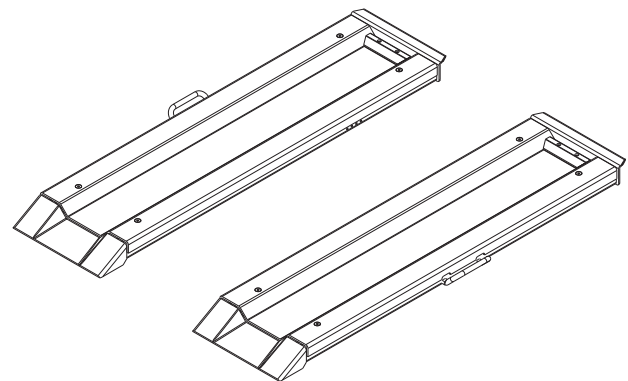
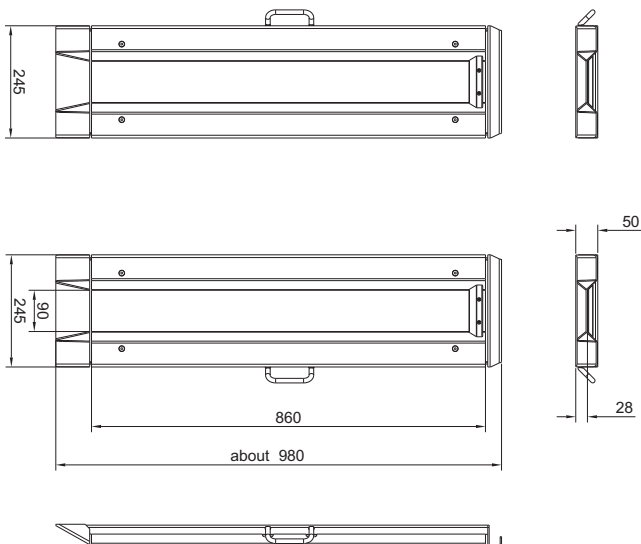


Scale designed to weigh patients in lying position. The construction of bed scales allows for application of this weighing equipment for various types of beds and braking systems.

Long beams allow for measuring bed's mass regardless of the place on which the bed is positioned on beams. Adjustable distance between the beams (up to 2,5 meters) is appropriate for different types of beds.

The scale is equipped with backlit LCD display, powered either by mains or by batteries. Bed scales have application of most recent technologies of load cells, and thus the scales can be characterized for:

- light construction (single beam mass is approximately 8 kg);
- ease transportation;
- easy running onto the beams (beam height: approximately 18mm).



Technical data:

WPT/8B 300C

Max capacity	300 kg
Readability	100 g
Tare range	-300 kg
Working temperature	0° - +40 °C
Output signal	RS 232
Power supply	230V AC, 50Hz / 11V AC and 6×AA
Display	LCD (backlit)

Additional equipment:

"KAFKA" THERMAL PRINTER

COMPUTER SOFTWARE: PW-WIN, RAD-KEY 2000

RADWAG

26-600 Radom • Bracka Street 28 • POLAND • Phone: +48 48 3848800 • Fax: +48 48 3850010 • www.radwag.com • e-mail: export@radwag.com